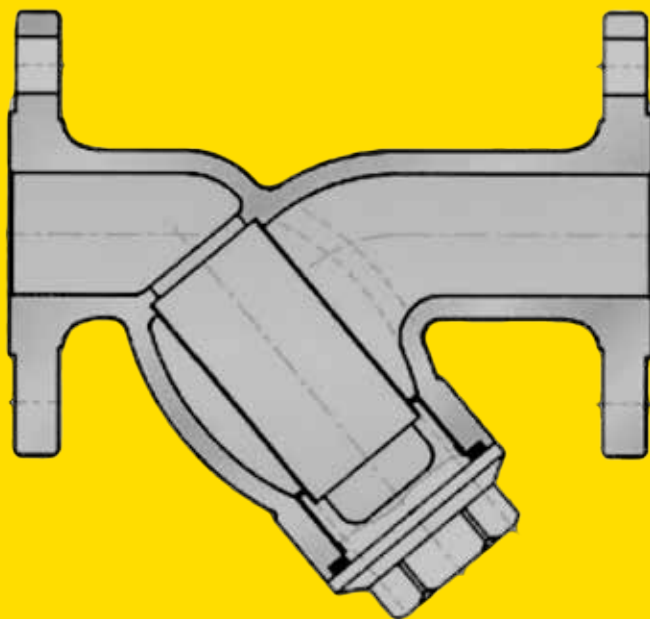


# STRAINERS ALS



## NOMINAL PRESSURE

ANSI Class 150-300

PN 16-40

## NOMINAL SIZE

½"-16"

DN 15-400

## MATERIALS

Carbon Steel

Stainless Steel

Alloy Steel

## CONNECTIONS

Flanged

Butt Weld

## DESIGN

Y-pattern



*AXELVALVES offers a wide range of strainers according to ANSI and DIN standards, designed for the chemical and petrochemical, oil and gas processing, steam generation industries.*

## APPLICATIONS

**POWER**

**OIL & GAS**

**PETROCHEMICAL**

**CHEMICAL**

**MARINE**

**PULP & PAPER**

**CRYOGENICS**

**MINING**

**CONSTRUCTION**

## FEATURES

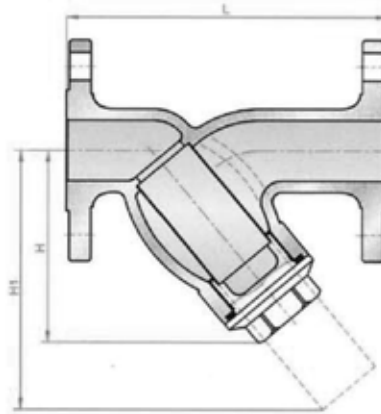
ALS strainers are manufactured by using high quality materials to guarantee superior performance.

- » Strainers are fitted with asbestos-free packing.
- » Special screen materials and mesh sizes are available for specific requirements
- » Each strainer is checked and supplied with certification according to relevant standards and specifications.

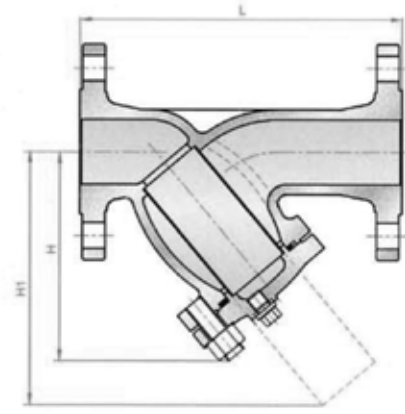
## MARKING

Strainers are identified by a proper name plate as required by MSS-SP25 with all information of rating, size, valve body and trim material.

# CAST STEEL Y-STRAINERS, CLASS 150 - CLASS 300



NPS ≤ 1/4



NPS ≤ 1/2

**End flange dimension:** ASME B16.5

**Pressure-temperature ratings:** ASME B16.34.

Size		CLASS 150				CLASS 300			
NPS	DN	Dimensions (mm)			Weight (Kg)	Dimensions (mm)			Weight (Kg)
		L	H	H <sub>1</sub>		L	H	H <sub>1</sub>	
1/2	15	120	67	92	2	160	70	95	3
3/4	20	130	73	105	2	160	80	110	4
1	25	150	87	117	3	190	92	120	5
1 1/4	32	170	100	138	4	220	105	142	7
1 1/2	40	190	123	150	5	240	128	155	9
2	50	220	147	179	13	250	152	184	16
2 1/2	65	270	180	232	15	300	185	236	20
3	80	290	198	263	18	320	204	266	24
4	100	350	234	337	22	380	240	340	30
5	125	390	274	383	42	460	280	386	50
6	150	440	314	452	50	550	320	456	70
8	200	540	400	555	91	600	410	560	115
10	250	760	512	725	205	760	530	730	270
12	300	870	581	870	297	870	600	875	380
14	350	950	633	933	394	950	650	938	520

# CARBON STEEL, ALLOY STEEL & STAINLESS STEEL, PN16-40, DN15-400

### Design

Y-strainer/filter in angle pattern with body and bonnet in cast steel or carbon steel. Filter in stainless steel (304) or alloy steel (316).  
Standard flange or welded ends.



### Standard

- Design EN 13709
- Face to face EN 558-1,
- Flange EN 1092-B1
- Marking EN 19
- Pressure test EN 12266-1
- CE-mark according PED97/23, category 3

### Applications

- Water, steam, oil and other fluids not damage the internal components.
- Uses within the all kind of industries

**Table 1. Technical specification**

Dimension	DN 15 to DN 400
Material	Carbon steel, stainless steel
Pressure class	PN 16 to PN 40
Temperature range	Carbon steel -10 °C to max 400°C Stainless steel to max 550°C <sup>1)</sup>
Connection	Flanged, Butt weld ends
Screen	SS304 alternative SS316

1) Flanged valve max 530°C

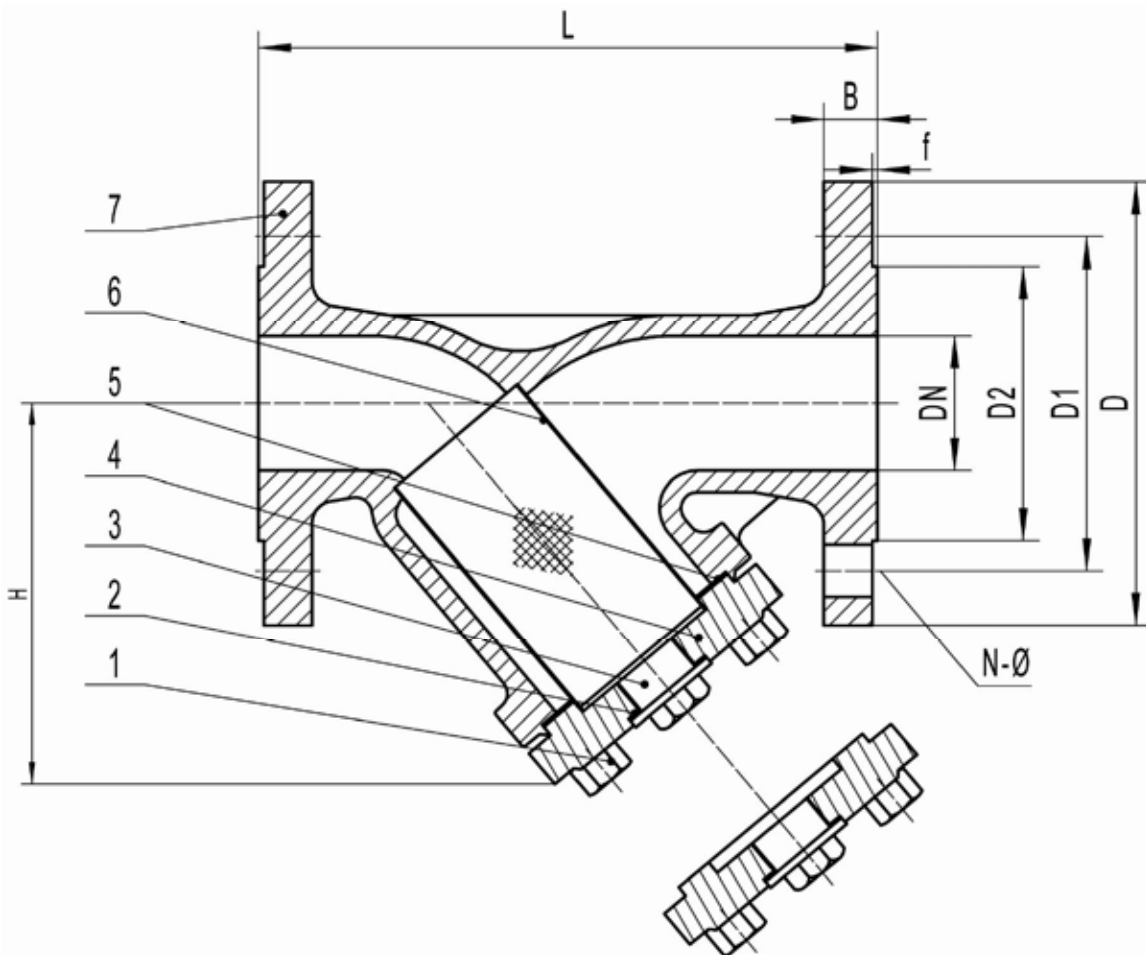
**Table 2. Pressure- temperature range, acc. to EN 1092-1**

Material Body	PN	RT	100	150	200	250	300	350	400	450	500	530	550 <sup>1)</sup>
Carbon steel 1.0619	16	16.0	14.9	13,9	12.4	11.4	10.3	9.6	9.2				
Carbon steel 1.0619	25/40	40.0	37.3	34.7	30.2	28.4	25.8	24.0	23.1				
Steel alloy 1.5419		40.0	40.0	40.0	38.2	35.6	30.2	28.4	26.7	25.8	18.0		
Steel alloy 1.7357		40.0	40.0	40.0	40.0	39.1	36.4	33.8	32	30.2	24.4	13.9	
Stainless steel CF8	16	14.7	12.1	11.0	10.2	9.6	9.0	8.7	8.4	8.1	7.8	7.6	7.3
Stainless steel CF8M		14.7	12.5	11.4	10.6	9.8	9.3	9.0	8.7	8.5	8.4	8.3	8.2
Stainless steel CF8	25/40	36.8	30.3	27.5	25.5	24.1	22.7	21.9	21.2	20.3	19.6	19.2	18.4
Stainless steel CF8M		36.8	31.3	28.5	26.4	24.7	23.4	22.6	21.8	21.4	21.0	20.8	20.7

# CARBON STEEL, ALLOY STEEL & STAINLESS STEEL, PN16-40, DN15-400

**Table 3.** Material specification

Pos	Detail	Material					
		ASTMA 194 B7	ASTMA 320 B8	ASTMA 320 B8M	Cu ALLOY	Cu ALLOY	Cu ALLOY
1	Bolt	ASTMA 194 B7	ASTMA 320 B8	ASTMA 320 B8M			
2	Sealing piece	Cu ALLOY	Cu ALLOY	Cu ALLOY			
3	Packing	Graphite + SS304	Graphite + SS304	Graphite + SS316			
4	Bonnet	1.0619	1.4308	1.4408			
5	GASKET	Graphite + SS304	Graphite + SS304	Graphite + SS316			
6	Screen	ASTMA276 304	ASTMA276 316	ASTMA276 304	ASTMA276 316	ASTMA276 304	ASTMA276 316



# CARBON STEEL, ALLOY STEEL & STAINLESS STEEL, PN16-40, DN15-400

**Table 5.** Dimension and weight. PN16-PN25/40  
 Face to face:flanged acc. to EN 558-1 serie 1. Flange acc.to EN1092-1, type B1,  
 Face to face:butt welded acc.to EN12982, serie 1; butt weld ends acc.to EN12627

DN	PN	L	D	D1	D2	B	N-Ød	Weight flanged	Ls	Weight BW-end	Hmax	Kv Z=4,4
mm		mm	mm	mm	mm	mm	antxmm	Kg	mm	Kg	Mm	m <sup>3</sup> /h
15	16-25/40	130	95	65	45	16	4x14	2.8	130	1.9	85	6.3
20		150	105	75	58	18	4x14	3.8	150	2.8	95	11
25		160	115	85	68	18	4x14	5.3	160	3.8	110	17.5
32		180	140	100	78	18	4x18	7.2	180	4.8	125	28
40		200	150	110	88	18	4x18	9	200	6.2	145	44
50		230	165	125	102	20	4x18	11.8	230	8.3	155	69
65	16	290	185	145	122	18	8x18	16.2	290	11.8	170	118
80		310	200	160	138	20	8x18	22.4	310	17.8	205	178
100		350	220	180	162	20	8x18	35.0	350	28.6	230	270
125		400	250	210	188	22	8x18	45.4	400	37.0	270	420
150		480	285	240	218	22	8x22	62.0	480	51.2	318	620
200		600	340	295	268	24	12x22	132.0	600	120.0	400	1150
250		730	405	355	320	26	12x26	220.0	730	203.0	555	1700
300		850	460	410	378	28	12x26	330.0	850	308.0	620	2500
350		980	520	470	438	30	16x26	540.0	980	510.0	700	3400
400		1100	580	525	490	32	16x30	830.0	1100	788.0	820	4400
65	25/40	290	185	145	122	22	8x18	16.8	290	13.0	170	118
80		310	200	160	138	24	8x18	24.0	310	18.5	205	178
100		350	235	190	162	26	8x22	38.8	350	29.7	230	270
125		400	270	220	188	26	8x26	50.1	400	38.1	270	420
150		480	300	250	218	28	8x26	68.0	480	53.4	318	620
200	25	600	360	310	278	30	12x26	142.6	600	123.0	400	1150
250		730	425	370	335	32	12x30	233.4	730	208.0	555	1700
300		850	485	430	395	34	16x30	350.0	850	316.0	620	2500
350		980	555	490	450	38	16x33	574.0	980	540.0	700	3400
400		1100	620	555	505	40	16x36	875.0	1100	835.0	820	4400
200	40	600	375	320	285	34	12x30	153.0	600	129.0	400	1150
250		730	450	385	345	38	12x33	250.0	730	223.0	555	1700
300		850	515	450	410	42	16x33	360.0	850	348.0	620	2500
350		980	580	510	465	46	16x36	614.0	980	587.0	700	3400
400		1100	660	585	535	50	16x39	940.0	1100	887.0	820	4400