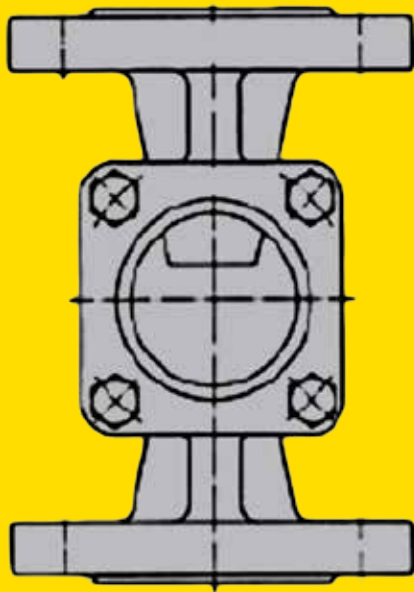


SIGHT GLASSES ALG



NOMINAL PRESSURE

ANSI Class 150-300

PN 16-40

NOMINAL SIZE

1/2"-8"

DN 15-250

MATERIALS

Cast Iron

Cast Steel

Stainless Steel

CONNECTIONS

Flanged

Butt Weld

DESIGN

Borosilicate glass



AXELVALVES offers a wide range of flow indicators according to ANSI and DIN standards, designed for the chemical and petrochemical, oil and gas processing, steam generation industries.

APPLICATIONS

POWER

OIL & GAS

PETROCHEMICAL

CHEMICAL

MARINE

PULP & PAPER

CRYOGENICS

MINING

CONSTRUCTION

FEATURES

ALC flow indicators are manufactured by using high quality materials to guarantee superior performance.

- » Indicators are fitted with asbestos-free packing.
- » Special glass and materials are available for specific requirements
- » Each indicator is checked and supplied with certification according to relevant standards and specifications.

MARKING

Indicators are identified by a proper name plate as required by MSS-SP25 with all information of rating, size, valve body and trim material.

FLOW INDICATOR ALG WITH ANSI FLANGES

APPLICATION

The flow indicators are used for optical control of fluids and gases, for horizontal and vertical pipelines. Also available with internal spinner or flap.

OPTIONS

with

- Spinner or Flap
- Heating jacket
- Sight glass light-fitting

OPERATING CONDITIONS

Working pressure: 16 bar by 150lbs
40 bar by 300lbs
Working temperature: 150oC or 280oC
For other requested please contact us.

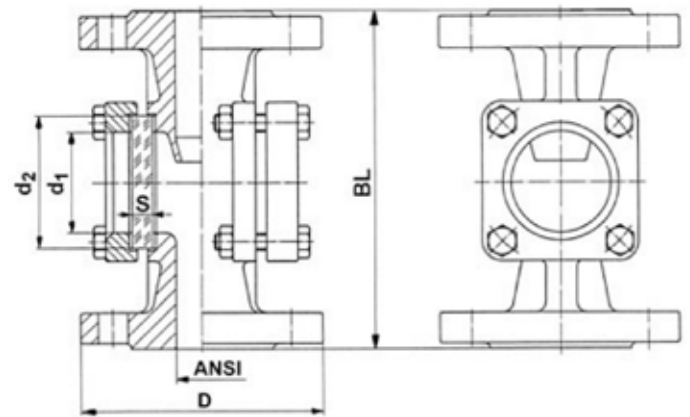
MATERIALS

Cast Iron GG 25 (EN-GJL-250) max 16 bar
Cast Steel GS-C 25 (1.0619 / GP240GH)
Stainless Steel WN 1.4408

INSTALLATION

Optional; Take care of flow direction

BODY	GG 25	GS-C 25	1.4408
Covers	GG 25 / S235JRG2	GS-C 25 / S235JRG2	1.4408 / 1.4301
Screws	4.6 / 5.6 gal.		A4-70
Glass	Borosilicate glass DIN 7080 Soda lime glass DIN 8902		
Gaskets	Graphite (or other materials)		



CERTIFICATE: (OPTION)

Acc. To EN 10204-2.2 or 3.1

ORDERING EXAMPLE

Sight Flow Indicators ALG 880-A, GS-C 25, with borosilicate glass DIN 7080-16 bar ANSI 2"; 150lbs



ANSI	D		BL (DIN F1)	D1	D2	GLASS PLATE	
	150 LBS	300 LBS				S	
						16 BAR	40 BAR
1/2"	89	95,2	130	32	45	10	10
3/4"	98	117,3	150	32	45	10	10
1"	108	123,8	160	48	63	10	15
1 1/4"	118	133,4	180	48	63	10	15
1 1/2"	127	155,6	200	65	80	12	20
2"	152	165,1	230	80	100	15	25
2 1/2"	178	190,5	290	80	100	15	25
3"	191	209,6	310	100	125	20	30
4"	228 *	254,0	350	125	150	25	32
5"	254 *	279,4	400	150	175	25	a.A.
6"	279	137,5	480	175	200	30 **	a.A.
8"	343 *	381,0	600	175	200	30 **	a.A.

*by cast iron different diameter by D acc. to DIN

**16 bar only with borosilicate glass possible

FLOW INDICATOR ALG ACC. TO DIN 3237

APPLICATION

The flow indicators are used for optical control of fluids and gases, for horizontal and vertical pipelines.

OPERATING CONDITIONS

Working pressure: 16 / 25 / 40 bar
 Working temperature: 150oC or 280oC

INSTALLATION

Optional; Take care of flow direction

OPTIONS

with ANSI-flanges
 with Butt weld ends
 with Spinner or Flap
 with Heating jacket
 with Sigh glass light – fittings

MATERIALS

Cast Iron GG 25 (EN-GJL-250) max 16 bar
 Cast Steel GS-C 25 (1.0619 / GP240GH)
 Stainless Steel WN 1.4408

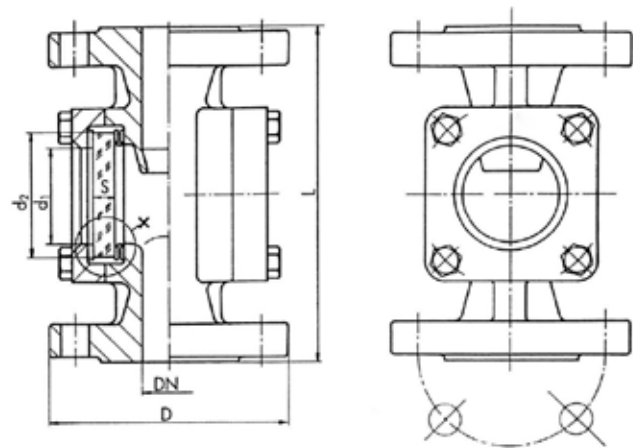
BODY	GG 25	GS-C 25	1.4408
Covers	GG 25 / S235JRG2	GS-C 25 / S235JRG2	1.4408 / 1.4301
Screws	4.6 / 5.6 gal.		A4-70
Glass	Borosilicate glass DIN 7080 Soda lime glass DIN 8902		
Gaskets	Graphite (or other materials)		

CERTIFIATE: (OPTION)

Acc. To EN 10204-2.2 or 3.1

ORDERING EXAMPLE

Sight Flow Indicators ALG 880, GG25, with borosilicate glass DIN 7080 DN50, PN 16



DN	D	BL	D1	GLASS PLATE			
				D2	S		
					PN16	PN25	PN40
15	95	130	32	45	10	10	10
20	105	150	32	45	10	10	10
25	115	160	48	63	10	12	15
32	140	180	48	63	10	12	15
40	150	200	65	80	12	15	20
50	165	230	80	100	15	20	25
65	185	290	80	100	15	20	25
80	200	310	100	125	20	25	30
100	220 (235)*	350	125	150	25	30	35
125	250 (270)*	400	150	175	25	30	a.A.
150	285 (300)*	480	175	200	30 **	35	a.A.
200	340 (360/375)*	600	175	200	30 **	35	a.A.

* D in () acc. To PN 25 / PN 40

** 16 bar only with borosilicate glass possible