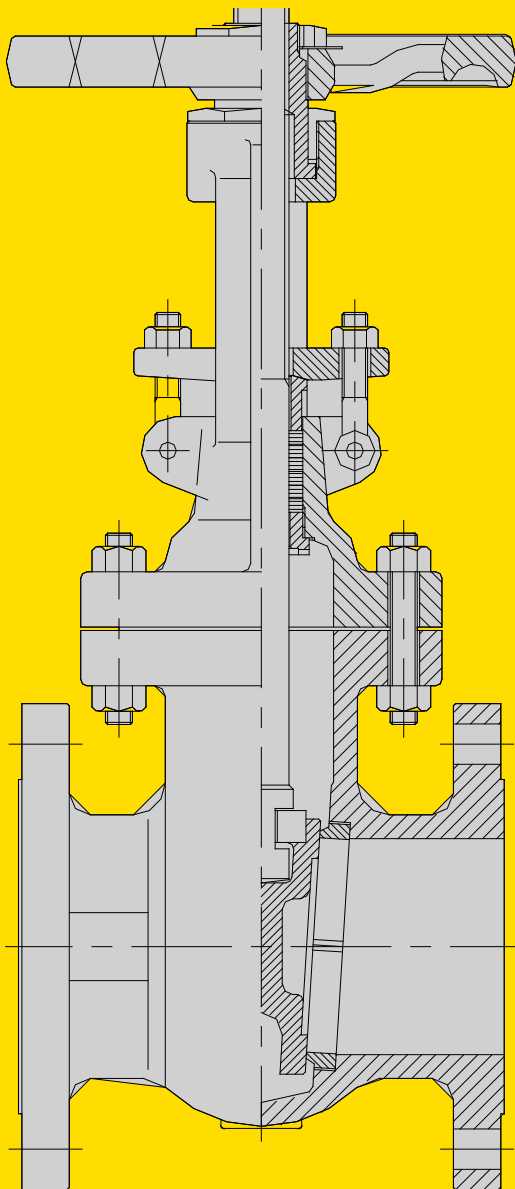


CAST STEEL GATE VALVES ALV-1



NOMINAL PRESSURE

ANSI Class 150-600

PN 16-100

NOMINAL SIZE

2½"-12"

DN 65-300

MATERIALS

Carbon Steel

Low Alloy Steel

Stainless Steel

CONNECTIONS

Flanged



AXELVALVES offers a wide range of cast valves to ANSI and DIN standards, designed for the chemical and petrochemical, oil and gas processing, steam generation industries.

APPLICATIONS

POWER

OIL & GAS

PETROCHEMICAL

CHEMICAL

MARINE

PULP & PAPER

CRYOGENICS

MINING

CONSTRUCTION

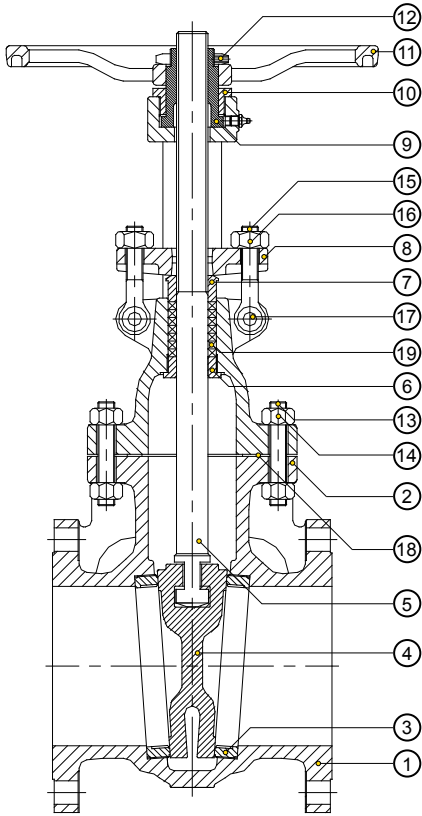
FEATURES

ALV-1 gate valves are manufactured by using high quality cast materials to guarantee superior performance.

- » Valves are fitted with asbestos-free packing.
- » Bolted bonnet valves are fitted with a graphite gasket that is fully contained to protect it from over compression and erosion.
- » Each valve is checked and supplied with certification according to relevant standards and specifications.

MARKING

Valves are identified by a proper name plate as required by MSS-SP25 with all informations of rating, size, valve body and trim material.



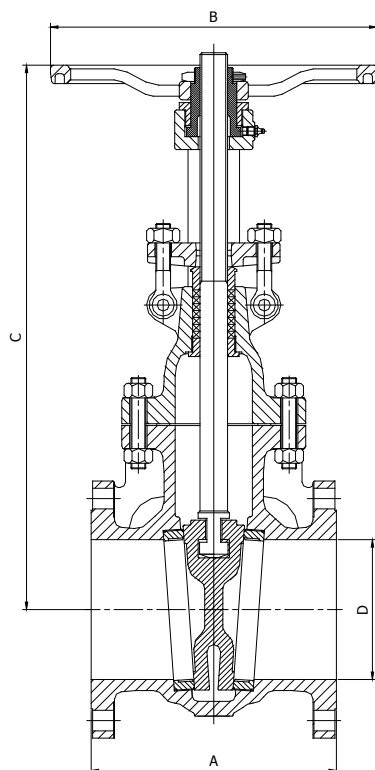
STANDARD MATERIAL SPECIFICATION

NO	PART	MATERIAL
1	Body	ASTM A 216 WCB
2	Bonnet	ASTM A 216 WCB
3	Seat ring	ASTM A 182 F6
4	Wedge	ASTM A 217 CA15
5	Stem	ASTM A 276 410
6	Stem bushing	ASTM A 276 410
7	Gland	ASTM A 276 410
8	Gland flange	ASTM A 105 II
9	Yoke sleeve	ASTM B 148 9A
10	Yoke nut	ASTM A 105 II
11	Hand-wheel	Steel
12	Hand wheel nut	ASTM A 105 II
13	Bolts	ASTM A 193 B7
14	Nuts	ASTM A 194 2H
15	Eye bolts	ASTM A 193 B7
16	Nuts	ASTM A 194 2H
17	Eye bolt pin	ASTM A 193 B7
18	Gasket	Graphite
19	Packing	Graphite

MATERIAL SELECTION TABLE

EXTERNAL MATERIAL		TRIM MATERIAL			SEALING MATERIAL				
ASTM	Body Bonnet	Bolt	Gland Bolt	Gland Nut	Stem	Seats	Wedge	Packing	Gasket
		ASTM A 193		ASTM A 194	AISI			Graphite	Graphite
A216	WCB	B7	B8	2H	410	F6	CA15		
A352	LCB	L7	B8	Gr.8	304	304+HF	CF8	Graphite	Graphite
A217	WC6 WC9	B16	B8	2H	410	F11+HF F22+HF	CA15		
A351	CF8 CF8M	B8	B8	Gr.8	304 316	CF8 CF8M	CF8 CF8M		

Other materials and material combinations available on request.



Measurements in mm.

CLASS 150

DIMENSIONS	SIZE												
	2 1/2"	3"	4"	5"	6"	8"	10"	12"	14"	16"	18"	20"	24"
A	191	203	229	254	267	292	330	356	381	406	432	457	508
B	200	225	250	250	300	400	500	500	600	600	700	700	800
C (Open)	420	440	480	560	600	775	1050	1240	1300	1500	1650	1800	2200
D	65	80	100	125	150	200	250	300	350	400	450	500	600
Weight kg	28	29	54	56	73	127	222	300	382	495	620	800	1250

CLASS 300

DIMENSIONS	SIZE												
	2 1/2"	3"	4"	5"	6"	8"	10"	12"	14"	16"	18"	20"	24"
A	241	283	305	381	403	419	457	502	762	838	915	991	1143
B	200	225	250	300	400	500	500	600	600	700	700	800	900
C (Open)	430	500	530	620	730	910	1110	1240	1400	1580	1700	1900	2150
D	65	80	100	125	150	200	250	300	350	400	450	500	600
Weight kg	33	44	74	113	138	234	338	520	715	995	1350	1680	2050

CLASS 600

DIMENSIONS	SIZE												
	2 1/2"	3"	4"	5"	6"	8"	10"	12"	14"	16"	18"	20"	24"
A	330	356	432	508	559	660	787	838	889	991	1092	1194	-
B	65	80	100	125	150	200	250	300	350	400	450	500	-
C (Open)	500	581	673	686	857	1025	1174	1368	1480	1680	1826	1930	-
D	65	80	100	125	150	200	250	300	350	400	450	500	-
Weight kg	44	58	104	178	250	400	840	1000	1400	1960	2744	3842	-

TEST PRESSURES

CLASS LBS	SHELL/BACKSEAT HYDROSTATIC BAR	SEAT HYDROSTATIC BAR	SEAT PNEUMATIC BAR
150	31	24	6
300	81	60	6
600	162	119	6

VALVES ARE MANUFACTURED IN ACCORDANCE WITH THE FOLLOWING STANDARDS

API 600	Cast steel valves
API 598	Valve inspection and test
ANSI B 16.34	Steel valve, flanged and butt weld ends
ANSI B 16.5	Steel pipe flanges and flanged fittings
ANSI B16.10	Face to face dimensions of ferrous valves
MSS-SP-25	Standard marking system for valves
MSS-SP-6	Standard finishes for contact faces of pipe, flanges and connecting end flanges of valves and fittings
NACE Mr 01.75	Material requirements: Sulfide stress cracking resistant
BS 5352	Cast and forged steel wedge gate, globe and check valves, screwed and socket weld ends

AVAILABLE ON REQUEST

- » DIN and GOST Flanges
- » Flexible Wedge
- » Gear Operated
- » Electric Actuated
- » Cryogenic Extended Bonnet and Packing
- » Heating Jacket
- » By Pass
- » Other Valve Materials Available
(Hastelloy C, Titanium, Monel etc.)

DESIGN AND DIMENSIONS

- » According to Standards:
- » ANSI, API, BS, DIN, GOST

Please note, this is a condensed catalogue.

For further information, contact AXELVALVES.

Subject to change without prior notice.