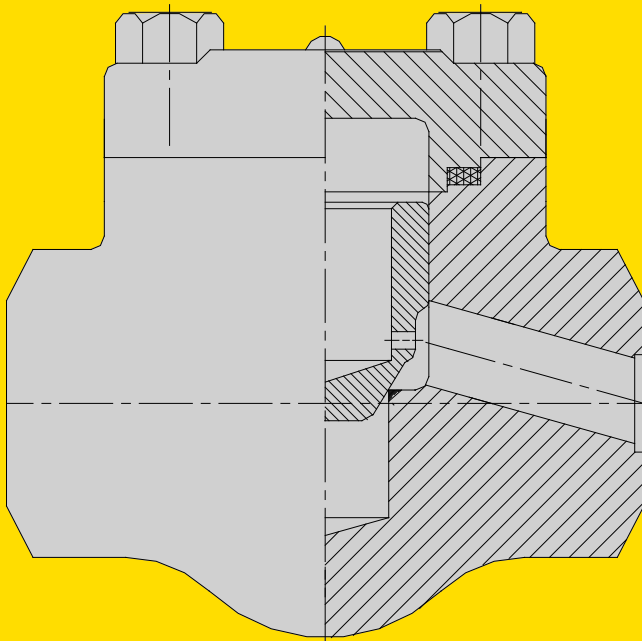


FORGED STEEL CHECK VALVES ALH-1



NOMINAL PRESSURE

ANSI Class 150-1500

PN 16-250

NOMINAL SIZE

1/4"-2"

DN 8-50

MATERIALS

Carbon Steel

Low Alloy Steel

Stainless Steel

CONNECTIONS

Socket Weld

Butt Weld

Threaded

Flanged

DESIGN

Ball Type

Piston Type



AXELVALVES offers a wide range of forged valves to ANSI and DIN standards, designed for the chemical and petrochemical, oil and gas processing, steam generation industries.

APPLICATIONS

POWER

OIL & GAS

PETROCHEMICAL

CHEMICAL

MARINE

PULP & PAPER

CRYOGENICS

MINING

CONSTRUCTION

FEATURES

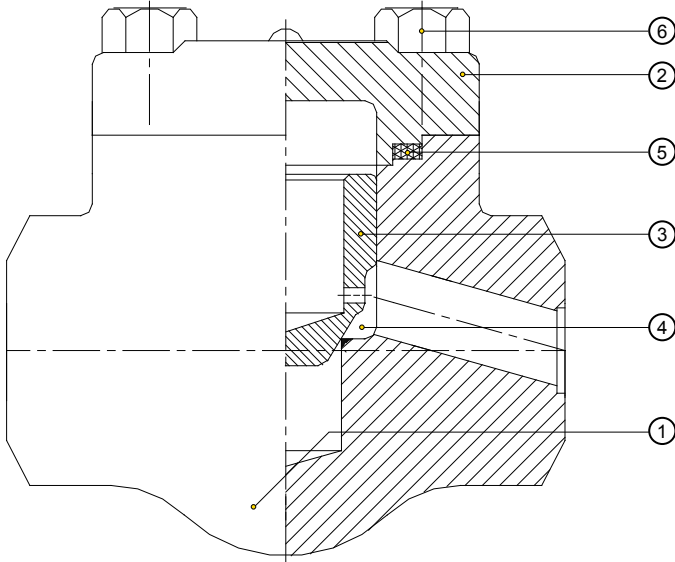
ALH-1 check valves are manufactured by using high quality forged materials to guarantee a superior performance.

- » Valves are fitted with asbestos-free packing.
- » Bolted bonnet valves are fitted with a stainless steel 316 spiral wound graphite gasket that is fully contained to protect it from over compression and erosion.
- » Each valve is checked and supplied with certification according to relevant standards and specifications.

MARKING

Valves are identified by proper name plate as required by MSS-SP25 with all informations of rating, size, valve body and trim material.

FORGED STEEL CHECK VALVES / ALH-1 BOLTED/WELDED BONNET



STANDARD MATERIAL SPECIFICATION

NO	PART	MATERIAL
1	Body	ASTM A 105
2	Bonnet	ASTM A 105
3	Piston	ASTM A 276 type 410
4	Seat	ASTM A 276 type 410
5	Gasket	Spiral Wound AISI 316 + Graphite
6	Cap Screw	ASTM A 193-B7

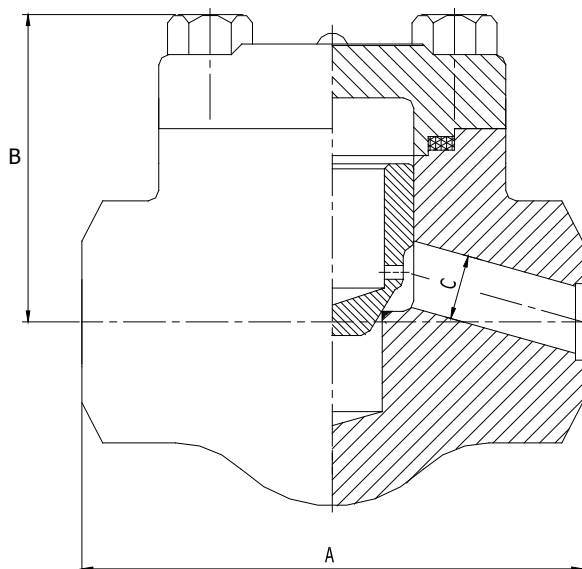
MATERIAL SELECTION TABLE

EXTERNAL MATERIAL		TRIM MATERIAL			SEALING MATERIAL
ASTM	Body Bonnet	Bolt ASM A 193	Seat	Disc	Gasket
A216	WCB	B7	410 316 410 Monel	410 316 410 HF Monel	Spiral Wound AISI 316 + Graphite
A352	LCB	L7	410 316	410 316	
A217	WC6 WC9	B16	410	410	
A351	CF8M	B8	304 316	304 316	

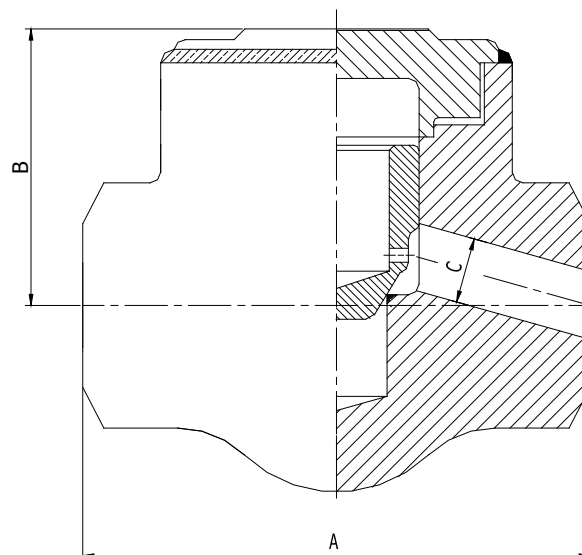
Other materials and material combinations available on request.

THREADED, BOLTED AND SOCKET WELD ENDS

Bolted Bonnet



Welded Bonnet



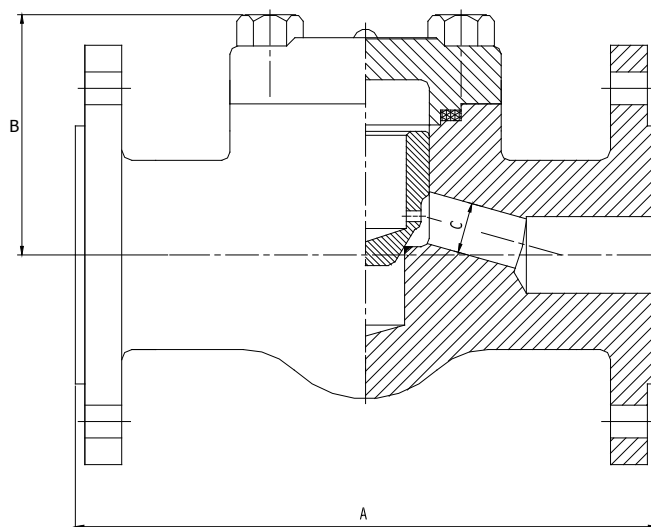
Measurements in mm.

CLASS 800 - BOLTED/WELDED

DIMENSIONS		SIZE							
Standard Bore	3/8"	1/2"	3/4"	1"	1.1/4"	1.1/2"	2"	-	
Full Bore	1/4"	3/8"	1/2"	3/4"	1"	1.1/4"	1.1/2"	2"	
A	81	81	88	110	128	154	170	210	
C	Bolted	55	57	60	72	80	94	103	123
	Welded	56	56	61	72	80	99	112	130
D	7	10	12,5	17,5	21	29	33	39	
Weight kg	1,4	1,4	1,8	2,6	5,1	5,1	9	13	

CLASS 1500 - BOLTED/WELDED

DIMENSIONS		SIZE						
Standard Bore	3/8"	1/2"	3/4"	1"	1.1/4"	1.1/2"	2"	-
Full Bore	1/4"	3/8"	1/2"	3/4"	1"	1.1/4"	1.1/2"	2"
A	-	88	110	128	154	154	210	210
C	-	61	72	80	99	99	130	130
D	-	10	12,5	17,5	24	29	33	39
Weight kg	-	1,8	2,6	3,2	5,1	5,1	13	13



Measurements in mm.

CLASS 150 / 300 / 600 - BOLTED BONNET - STANDARD BORE

DIMENSIONS	RATING	SIZE					
		1/2"	3/4"	1"	1 1/4"	1 1/2"	2"
A	150 RF	108	117	127	-	165	203
	300 RF	153	178	203	-	229	267
	600 RF	165	190	216	-	241	292
B	-	78	89	85	.	99	103
C	-	10	13	17	.	25	33
Weight kg	150 RF	2,1	3,2	4,4	.	7	9,8
	300 RF	3,2	3,9	5,6	.	8,4	11,9
	600 RF	4,0	4,9	6,5	.	15	18

CLASS 300 / 600 - BOLTED BONNET - FULL BORE

DIMENSIONS	RATING	SIZE					
		1/2"	3/4"	1"	1 1/4"	1 1/2"	2"
A	300 RF	152	178	203	-	229	267
	300 RTJ	165	190	216	-	241	283
	600 RF	165	190	216	-	241	292
	600 RTJ	164	190	216	-	241	295
B	-	92	89	85	-	99	103
C	-	13	17	19	-	29	40
Weight kg	300 RF/RTJ	3,5	4,4	5,9	-	10,2	14
	600 RF/RTJ	5,1	6	9,8	-	17	20,3

CLASS 1500 - ROUND BOLTED BONNET - FULL BORE

DIMENSIONS		SIZE					
		1/2"	3/4"	1"	1 1/4"	1 1/2"	2"
A	1500 RF	216	229	254	279	305	368
	1500 RTJ	216	229	254	279	305	371
B	-	141	155	170	150	171	180
C	-	11	15	19	27	32	38
Weight kg	1500RF/RTJ	8	10	15	21	26	32

TEST PRESSURES

CLASS LBS	SHELL HYDROSTATIC BAR	SEAT HYDROSTATIC BAR	SEAT PNEUMATIC BAR
150	31	24	6
300	81	60	6
600	162	119	6
800	216	159	6
1500	405	298	6

VALVES ARE MANUFACTURED IN ACCORDANCE WITH THE FOLLOWING STANDARD

API 602	Forged steel valves
API 598	Valve inspection and test
ANSI B16.34	Steel valve flanged and butt weld ends
ANSI B16.5	Steel pipe flanges and flanged fittings
ANSI B 16.10	Face to face and dimensions of ferrous valves
ANSI B16.11	Forged steel fittings, Socket welding and threaded
MSS-SP-25	Standard marking system for valves
MSS-SP-6	Standard finishes for contact faces of pipe, flanges and connecting end flanges of valves and fittings
NACE Mr 01.75	Material requirements: Sulfide stress cracking resistant
BS 5352	Cast and forged steel wedge gate, globe and check valves, screwed and socket weld ends

AVAILABLE ON REQUEST:

- » DIN and GOST Flanges
- » Check with Teflon or Rubber Lining
- » With Lever and Weight
- » With Shock Absorber
- » Other Valve Materials Available
(Hastelloy C, Titanium, Monel etc.)

DESIGN AND DIMENSIONS:

- » According to Standards:
ANSI, API, BS, DIN, GOST

Please note, this is a condensed catalogue.

For further information, contact AXELVALVES.

Subject to change without prior notice.