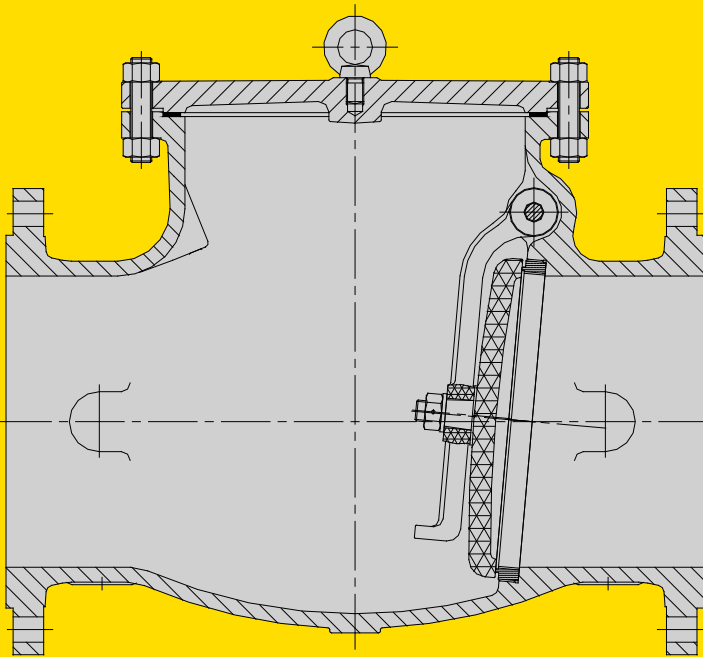


CAST STEEL CHECK VALVES ALH-1



NOMINAL PRESSURE

ANSI Class 150-600

PN 16-100

NOMINAL SIZE

2½"-24"

DN 65-600

MATERIALS

Carbon Steel

Low Alloy Steel

Stainless Steel

CONNECTIONS

Flanged

DESIGN

Swing Type



AXELVALVES offers a wide range of cast valves to ANSI and DIN standards, designed for the chemical and petrochemical, oil and gas processing, steam generation industries.

APPLICATIONS

POWER

OIL & GAS

PETROCHEMICAL

CHEMICAL

MARINE

PULP & PAPER

CRYOGENICS

MINING

CONSTRUCTION

FEATURES

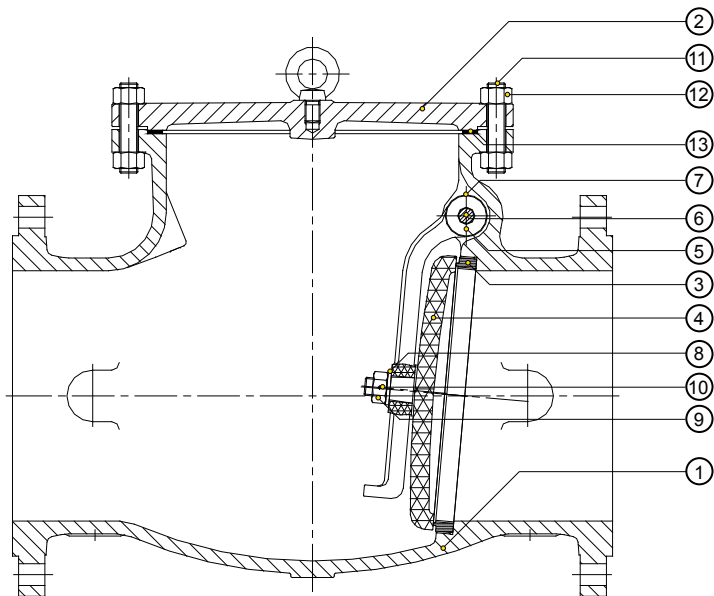
ALH-1 check valves are manufactured by using high quality cast materials to guarantee superior performance.

- » Valves are fitted with asbestos-free packing.
- » Bolted bonnet valves are fitted with a graphite gasket that is fully contained to protect it from over compression and erosion.
- » Each valve is checked and supplied with certification according to relevant standards and specifications.

MARKING

Valves are identified by a proper name plate as required by MSS-SP25 with all informations of rating, size, valve body and trim material.

CAST STEEL CHECK VALVES / ALH-1 FLANGED ENDS



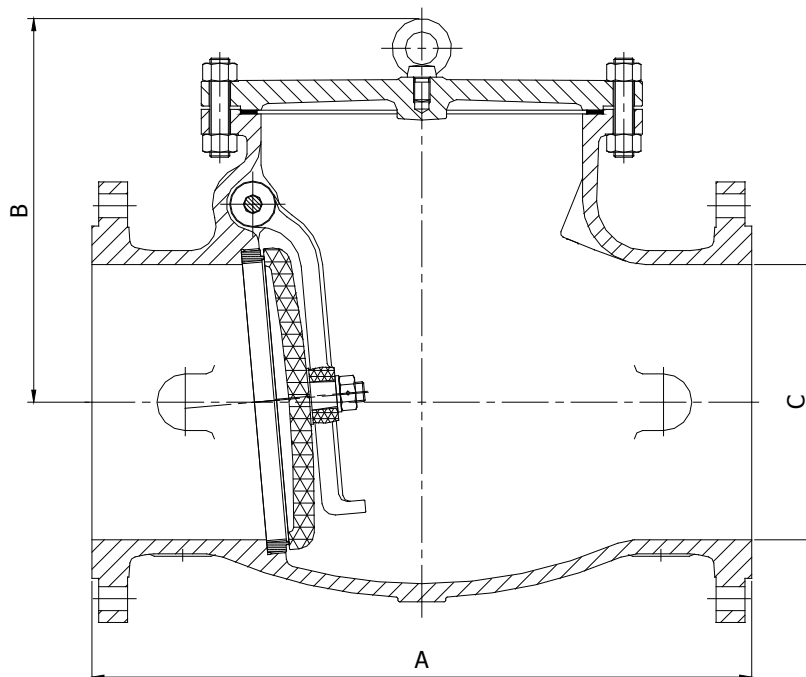
STANDARD MATERIAL SPECIFICATION

NO	PART	MATERIAL
1	Body	ASTM A 216 WCB
2	Bonnet	ASTM A 216 WCB
3	Seat Ring	ASTM A 182 F6
4	Disc	ASTM A 217 CA15
5	Hinge	ASTM A 216 WCB
6	Hinge Pin	ASTM A 276 410
7	Seat Screw	ASTM A 182 F6
8	Plate	ASTM A 240 304
9	Nut	ASTM A 182 F6
10	Pin	ASTM A 182 F6
11	Bolts	ASTM A 193 B7
12	Nuts	ASTM A 194 2H
13	Gasket	Graphite

MATERIAL SELECTION TABLE

EXTERNAL MATERIAL		TRIM MATERIAL			SEALING MATERIAL
ASTM	Body Bonnet	Bolt ASTM A 193	Seat AISI	Disc	Gasket
A216	WCB	B7	F6	CA15	Graphite
A352	LCB	L7	304+HF	CF8	
A217	WC6 WC9	B16	F11+HF F22+HF	CF8	
A351	CF8 CF8M	B8	304 316	CF8 CF8M	

Other materials and material combinations available on request.



Measurements in mm.

CLASS 150

DIMENSIONS	SIZE												
	2 1/2"	3"	4"	5"	6"	8"	10"	12"	14"	16"	18"	20"	24"
A	216	241	292	330	356	495	622	699	787	864	978	978	1295
B	180	195	220	230	270	330	350	400	440	490	550	620	740
C	65	80	100	125	150	200	250	300	350	400	450	500	600
Weight kg	22	30	43	61	80	134	205	320	422	615	785	1295	1374

CLASS 300

DIMENSIONS	SIZE												
	2 1/2"	3"	4"	5"	6"	8"	10"	12"	14"	16"	18"	20"	24"
A	292	318	356	400	445	534	622	711	838	864	978	1016	1346
B	180	200	225	270	300	355	390	445	495	530	610	660	750
C	65	80	100	125	150	200	250	300	350	400	450	500	600
Weight kg	31	40	63	94	124	205	315	442	624	839	1122	1395	1863

CLASS 600

DIMENSIONS	SIZE												
	2 1/2"	3"	4"	5"	6"	8"	10"	12"	14"	16"	18"	20"	24"
A	330	356	432	508	559	660	787	838	889	991	1092	1194	-
B	211	230	292	306	368	408	468	516	564	666	740	838	-
C	65	80	100	125	150	200	250	300	350	400	450	500	-
Weight kg	38	59	97	155	206	285	559	682	682	1140	1500	1650	-

TEST PRESSURES

CLASS LBS	SHELL HYDROSTATIC BAR	SEAT HYDROSTATIC BAR	SEAT PNEUMATIC BAR
150	31	24	6
300	81	60	6
600	162	119	6

VALVES ARE MANUFACTURED IN ACCORDANCE WITH THE FOLLOWING STANDARDS

API 600	Cast steel valves
API 598	Valve inspection and test
ANSI B 16.34	Steel valve, flanged and butt weld ends
ANSI B 16.5	Steel pipe flanges and flanged fittings
ANSI B16.10	Face to face dimensions of ferrous valves
MSS-SP-25	Standard marking system for valves
MSS-SP-6	Standard finishes for contact faces of pipe, flanges and connecting end flanges of valves and fittings
NACE Mr 01.75	Material requirements: Sulfide stress cracking resistant
BS 5352	Cast and forged steel wedge gate, globe and check valves, screwed and socket weld ends

AVAILABLE ON REQUEST

- » DIN and GOST Flanges
- » Check with Teflon or Rubber Lining
- » With Lever and Weight
- » With Shock Absorber
- » Other Valve Materials Available
(Hastelloy C, Titanium, Monel etc.)

DESIGN AND DIMENSIONS

According to Standards: ANSI, API, BS, DIN, GOST

Please note, this is a condensed catalogue.

For further information, contact AXELVALVES.

Subject to change without prior notice.